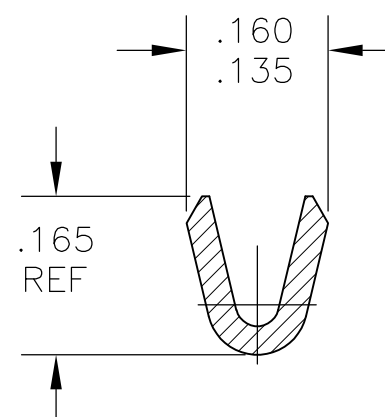
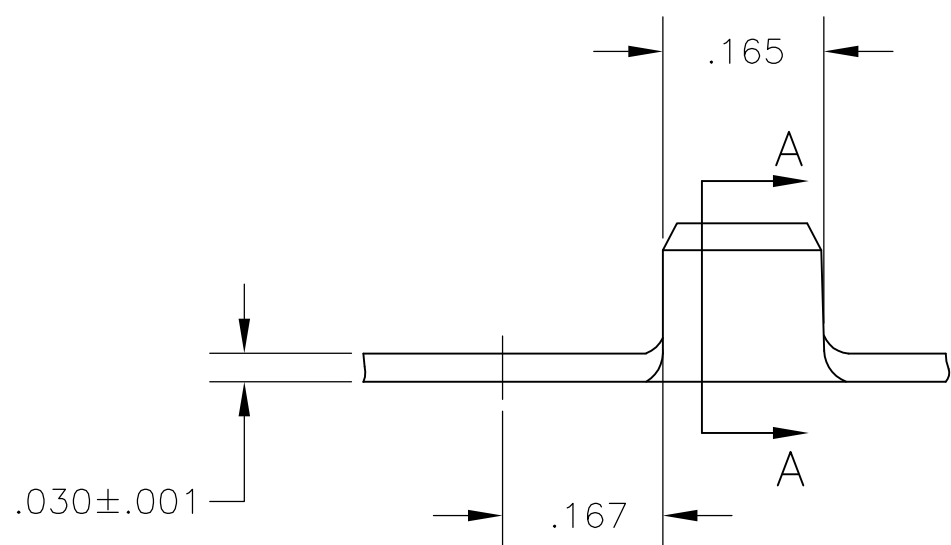
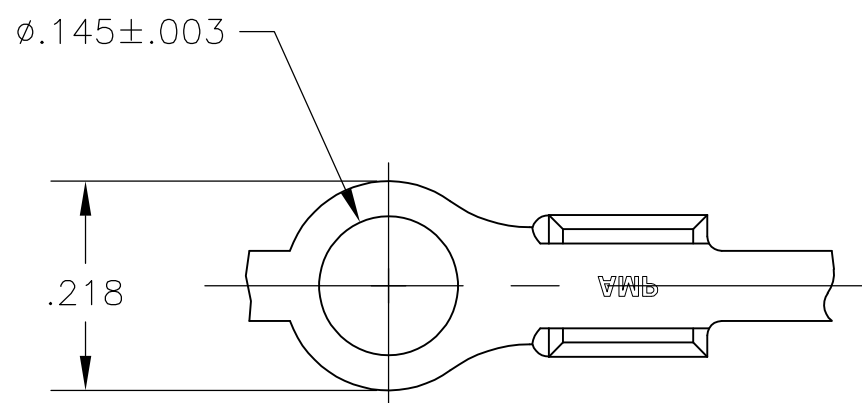


THIS DRAWING IS UNPUBLISHED. RELEASED FOR PUBLICATION

© COPYRIGHT BY TYCO ELECTRONICS CORPORATION. ALL RIGHTS RESERVED.

LOC	DIST	REVISIONS					
AF	50	P	LTR	DESCRIPTION	DATE	DWN	APVD
			B	REVISED PER ECR-10-006099	07JUL10	HMR	PD

1. CONTINUOUS STRIP ON REELS
2. WIRE SIZE IS #20-#16 AWG



SECTION A-A

40976

PART NO

THIS DRAWING IS A CONTROLLED DOCUMENT.		DWN jr_ruth 10MAR06	Tyco Electronics Corporation Harrisburg, PA 17105-3608													
DIMENSIONS: INCHES		CHK D DECKER 10MAR06														
TOLERANCES UNLESS OTHERWISE SPECIFIED:		APVD D DECKER 10MAR06	NAME													
<table border="0"> <tr><td>0 PLC</td><td>± -</td></tr> <tr><td>1 PLC</td><td>± -</td></tr> <tr><td>2 PLC</td><td>± -</td></tr> <tr><td>3 PLC</td><td>± .010</td></tr> <tr><td>4 PLC</td><td>± -</td></tr> <tr><td>ANGLES</td><td>± 5°</td></tr> </table>		0 PLC	± -	1 PLC	± -	2 PLC	± -	3 PLC	± .010	4 PLC	± -	ANGLES	± 5°	PRODUCT SPEC	TERMINAL, RING	
0 PLC	± -															
1 PLC	± -															
2 PLC	± -															
3 PLC	± .010															
4 PLC	± -															
ANGLES	± 5°															
MATERIAL T1 BRASS		FINISH TIN	APPLICATION SPEC	RESTRICTED TO												
		WEIGHT -	SIZE A3	CAGE CODE 00779												
		CUSTOMER DRAWING	DRAWING NO C-40976	SCALE 5:1												
			SHEET 1 OF 1	REV B												